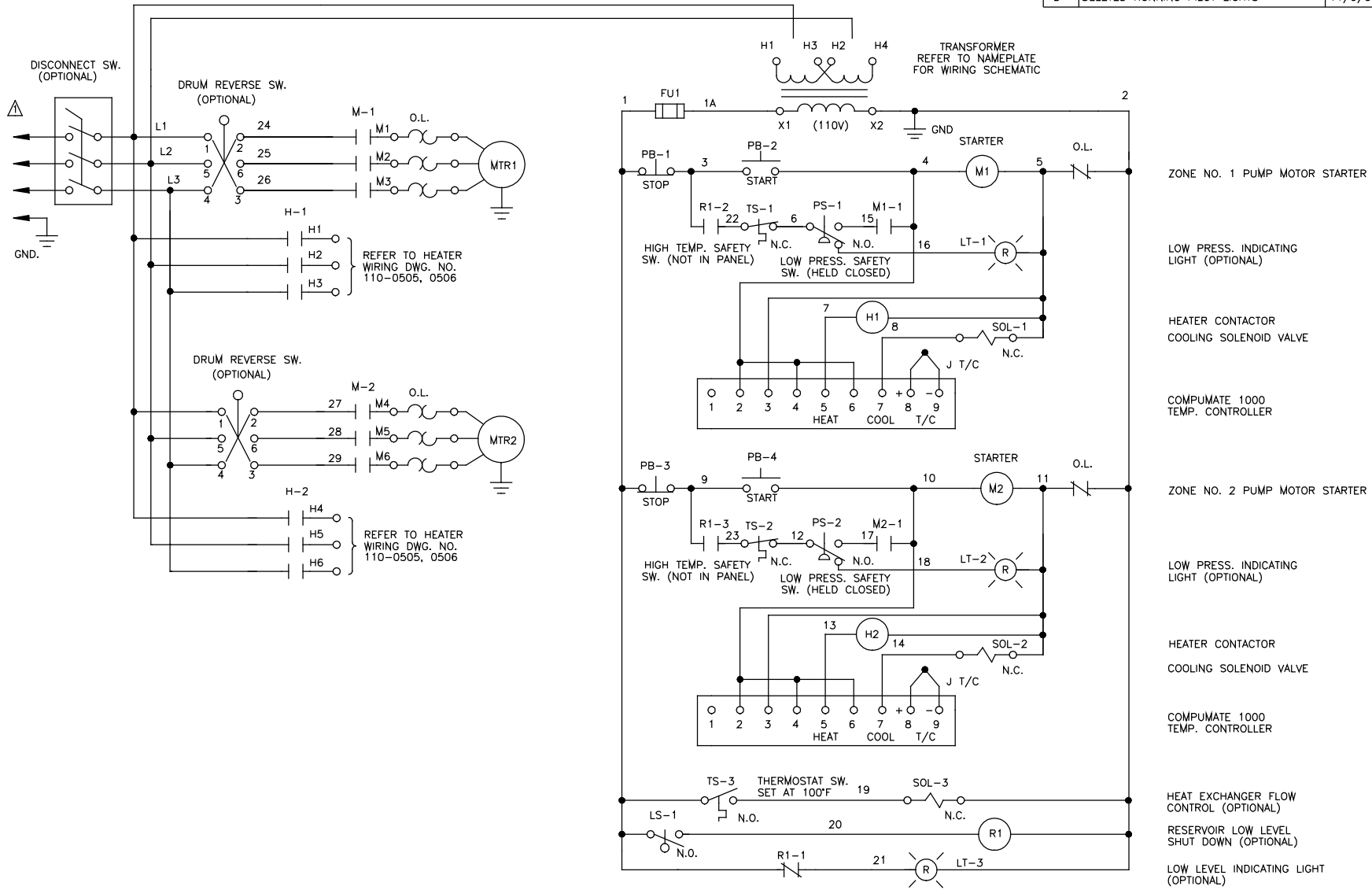


REVISIONS			
LTR	DESCRIPTION	DATE	APPROVED
C	REDRAWN ON CAD (OLD DWG. #130-0625)	11/3/95	
D	DELETED RUNNING PILOT LIGHTS	11/9/95	



- ZONE NO. 1 PUMP MOTOR STARTER
- LOW PRESS. INDICATING LIGHT (OPTIONAL)
- HEATER CONTACTOR
- COOLING SOLENOID VALVE
- COMPUMATE 1000 TEMP. CONTROLLER
- ZONE NO. 2 PUMP MOTOR STARTER
- LOW PRESS. INDICATING LIGHT (OPTIONAL)
- HEATER CONTACTOR
- COOLING SOLENOID VALVE
- COMPUMATE 1000 TEMP. CONTROLLER
- HEAT EXCHANGER FLOW CONTROL (OPTIONAL)
- RESERVOIR LOW LEVEL SHUT DOWN (OPTIONAL)
- LOW LEVEL INDICATING LIGHT (OPTIONAL)

- NOTES:
- REFER TO OPERATORS MANUAL FOR POWER SUPPLY REQ'D.
 - LAST WIRE NO. 29.

ITEM NO.	DESCRIPTION	PART NO.
UNLESS OTHERWISE SPECIFIED		
DRAWN	R. CRUZ	11/3/95
CHECKED		
APP.		
DESCRIPTION ELECTRICAL SCHEMATIC: TWO ZONE OIL UNIT 208-575V/3Ø/50-60 HZ. 12KW W/ COMPUMATE 1000 TEMP. CONTROLLER.		
C	MODEL NO. HC/MK G12	DWG. NO. 120-0403
SCALE	NONE	SHEET 1 OF 1

MOKON
DIVISION
PROTECTIVE CLOSURES CO., INC.
2150 Elmwood Avenue, Buffalo, New York 14207

120-0403
CAD GENERATED DRAWING